



Model Number

UB500-18GM75-E6-V15

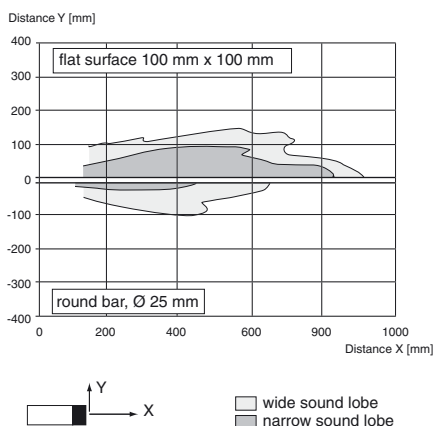
Single head system

Features

- 2 switch outputs
- 3 different output functions can be set
- Selectable sound lobe width
- Program input
- Temperature compensation
- Very small unusable area

Curves

Characteristic response curve



Technical data

General specifications

Sensing range	30 ... 500 mm
Adjustment range	50 ... 500 mm
Unusable area	0 ... 30 mm
Standard target plate	100 mm x 100 mm
Transducer frequency	approx. 380 kHz
Response delay	approx. 50 ms

Indicators/operating means

LED yellow	indication of the switching state flashing: program function object detected
LED red	"Error", object uncertain in program function: No object detected

Electrical specifications

Operating voltage U_B	10 ... 30 V DC , ripple 10 % _{SS}
No-load supply current I_0	≤ 50 mA

Input

Input type	1 program input, operating range 1: $-U_B$... +1 V, operating range 2: +4 V ... $+U_B$ input impedance: > 4.7 kΩ; program pulse: ≥ 1 s
------------	--

Output

Output type	2 switch outputs PNP, NO/NC, programmable
Rated operational current I_e	2 x 100 mA , short-circuit/overload protected
Voltage drop U_d	≤ 3 V
Repeat accuracy	≤ 1 %
Switching frequency f	max. 8 Hz
Range hysteresis H	1 % of the set operating distance
Temperature influence	± 1.5 % of full-scale value

Ambient conditions

Ambient temperature	-25 ... 70 °C (-13 ... 158 °F)
Storage temperature	-40 ... 85 °C (-40 ... 185 °F)

Mechanical specifications

Protection degree	IP65
Connection	5-pin V15 (M12 x 1) connector
Material	
Housing	brass, nickel-plated
Transducer	epoxy resin/hollow glass sphere mixture; foam polyurethane, cover PBT
Mass	60 g

Compliance with standards and directives

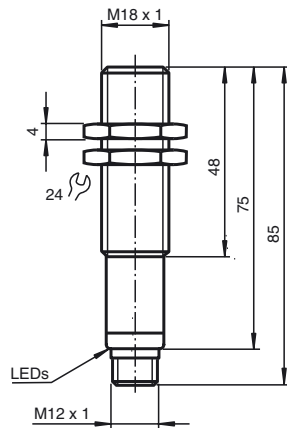
Standard conformity	
Standards	EN 60947-5-2:2007 IEC 60947-5-2:2007

Approvals and certificates

UL approval	cULus Listed, General Purpose
-------------	-------------------------------

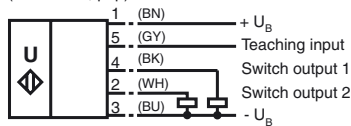
Release date: 2010-06-01 13:11 Date of issue: 2010-06-01 130228_ENG.xml

Dimensions



Electrical Connection

Standard symbol/Connections:
(version E6, pnp)



Core colours in accordance with EN 60947-5-2.

Pinout

Connector V15



Adjusting the switching points

The ultrasonic sensor features two switch outputs with one teachable switching point. The switching points are set by applying the supply voltage $-U_B$ or $+U_B$ to the TEACH-IN input.

The supply voltage must be applied to the TEACH-IN input for at least 1 s. LEDs indicate whether the sensor has recognised the target during the TEACH-IN procedure. Switching point A1 is taught with $-U_B$, A2 with $+U_B$.

Three different output functions can be set:

1. normally-open function
2. normally-closed function
3. Detection of object presence

Switching points may only be specified directly after Power on. A time lock secures the adjusted switching points against unintended modification 5 minutes after Power on. To modify the switching points later, the user may specify the desired values only after a new Power On.

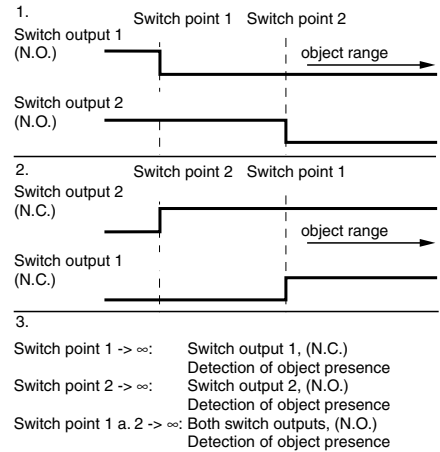
TEACH-IN normally-open function

Switching point for switch output 1 < switching point for switch output 2

- Set target of desired switching point for switch output 1
- TEACH-IN switching point for switch output 1 with $-U_B$

Additional Information

Programmed switching output function



Accessories

UB-PROG3

Programming unit

OMH-04

Mounting aid

BF 18

Mounting flange

BF 18-F

Mounting flange

BF 5-30

Mounting flange

UVW90-K18

Ultrasonic -deflector

V15-G-2M-PVC

Cable connector

V15-W-2M-PUR

Cable connector

- Set target of desired switching point for switch output 2
- TEACH-IN switching point for switch output 2 with +U_B

Comments: The order doesn't make any difference. If you want, you can set only one switching point.

TEACH-IN normally-closed function

Switching point for switch output 2 < switching point for switch output 1

- Set target of desired switching point for switch output 1
- TEACH-IN switching point for switch output 1 with -U_B
- Set target of desired switching point for switch output 2
- TEACH-IN switching point for switch output 2 with +U_B

Comments: The order doesn't make any difference. If you want, you can set only one switching point. If both switching points are equal, the sensor works in close function.

TEACH-IN detection of object presence

- Cover the sensor with the palm, or remove all objects from the detection range of the sensor
- TEACH-IN switching point for switch output 1 with -U_B
- TEACH-IN switching point for switch output 2 with +U_B

Comments

Only one switch output can be configured for detection of presence of objects. If the sensor detects an object within the maximum detection range, the switch output switches.

Default setting of switching points

- Switch output 1: unusable area
- Switch output 2: nominal sensing range

LED Displays

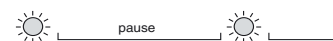
Displays in dependence on operating mode	Red LED	LED 1 yellow	LED 2 yellow
TEACH-IN switching point 1			
Object detected	off	flashes	off
No object detected	flashes	off	off
Object uncertain (TEACH-IN invalid)	on	off	off
TEACH-IN switching point 2:			
Object detected	off	off	flashes
no object detected	flashes	off	off
Object uncertain (TEACH-IN invalid)	on	off	off
Normal operation	off	switch state 1	switch state 2
Fault	on	previous state	previous state

Adjusting the sound cone characteristics:

The ultrasonic sensor enables two different shapes of the sound cone, a wide angle sound cone and a small angle sound cone.

1. Small angle sound cone

- switch off the power supply
- connect the Teach-input wire to -U_B
- switch on the power supply
- the red LED flashes once with a pause before the next.
- yellow LED: permanently on: indicates the presence of an object or disturbing object within the sensing range
- disconnect the Teach-input wire from -U_B and the changing is saved



2. Wide angle sound cone

- switch off the power supply
- connect the Teach-input wire with +U_B
- switch on the power supply
- the red LED double-flashes with a long pause before the next.
- yellow LED: permanently on: indicates an object or disturbing object within the sensing range
- disconnect the Teach-input wire from +U_B and the changing is saved



Installation conditions

If the sensor is installed at places, where the environment temperature can fall below 0 °C, for the sensors fixation, one of the mounting flanges BF18, BF18-F or BF 5-30 must be used.

In case of direct mounting of the sensor in a through hole using the steel nuts, it has to be fixed at the middle of the housing thread. If a fixation at the front end of the threaded housing is required, plastic nuts with centering ring (accessories) must be used.

Release date: 2010-06-01 13:11 Date of issue: 2010-06-01 13:0228_ENG.xml